

## Technical Information

### SMV800 SmartLine Multivariable Transmitter Specification 34-SM-03-92, March 2024



#### Introduction

The SMV800 combines sensor technologies for differential pressure, static pressure and temperature with the latest microprocessor technology to provide highly accurate data for measured variables, compensated flow and totalization over multiple communication protocols.

When paired with the other SmartLine unique features the SMV 800 delivers the highest levels of safety, reliability and efficiency available resulting into reduced project costs and start-up time while improving the productivity. The SmartLine family is also fully tested and compliant with Experion<sup>®</sup> PKS providing the highest level of compatibility assurance and integration capabilities.

#### Best in Class Features:

- Accuracy up to 0.0375% for Differential pressure
- Accuracy up to 0.0375% for Static pressure
- Accuracy up to 0.2 Deg C for Temperature
- Mass Flow Reference Accuracy: up to 0.6%
- Totalizer Reference Accuracy: up to 0.4%
- Automatic static pressure & temperature compensation
- Rangeability up to 400:1
- Compensated flow response time of up to 2x per second
- Multiple local display capabilities
- External zero, span, & configuration capability
- Polarity insensitive electrical connections
- Comprehensive on-board diagnostic capabilities
- Integral Dual Seal design for highest safety based on ANSI/NFPA 70-202 and ANSI/ISA 12.27.0
- World class overpressure protection
- Modular design characteristics

#### Communications/Output Options:

- 4-20mA DC (Analog)
- Honeywell Digitally Enhanced (DE)  
Single or Multivariable
- HART<sup>®</sup> (version 7.0)
- Modbus (RS-485, RTU) Half Duplex Communication

All transmitters are available with the above listed communication protocols



Figure 1 – SMV 800 Multivariable Transmitters feature field-proven piezoresistive sensor technology

#### Span & Range Limits:

Model PV1 - DP	URL	LRL	Min Span
	inH <sub>2</sub> O (bar)	inH <sub>2</sub> O (bar)	inH <sub>2</sub> O (mbar)
SMA810	25 (0.0625)	-25 (-0.0625)	1.0 (2.5)
SMA845	400 (1)	-400 (-1)	1.0 (2.5)
SMG870	400 (1)	-400 (-1)	1.0 (2.5)
SMG890	2000 (5)	-2000 (-5)	5.0 (12.5)
PV2 - SP			
	psiA (bara)	psiA (bara)	psiA (bar)
SMA810	100 (7.0)	0 (0)	5 (0.35)
SMA845	1500 (104)	0 (0)	30 (2.1)
PV2 - SP			
	psig (barg)	psig (barg)	psig (barg)
SMG870	4500 (310)	-14.7 (-1)	60 (4.2)
SMG890	4500 (310)	-14.7 (-1)	60 (4.2)

## Description

Honeywell's SMV 800 Smart Multivariable Flow Transmitter extends our proven "smart" technology to the measurement of three separate process variables with the ability to calculate compensated mass or volume flow rate as a fourth process variable according to industry standard methods for air, gases, steam and liquids. SMV800 HART and Modbus devices can also calculate total mass or volume flow.

## Unique Indication/Display

### Advanced Graphics LCD Display Features

- Modular (may be replaced in the field)
- 0, 90, 180, & 270 degree position adjustments
- Standard and custom measurement units available
- Up to eight display screens with 3 formats are possible (Large PV with Bar Graph or PV with Trend Graph)
- Configurable screen rotation timing (3 to 30 sec)
- Display Square Root capabilities may be set separately from the 4-20mA dc output signal for HART & DE devices
- Multiple language capability (EN, DE, FR, IT, ES, RU, TU, CH, & JP)

## Diagnostics

SmartLine transmitters all offer digitally accessible diagnostics which aid in providing advanced warning of possible failure events minimizing unplanned shutdowns, providing lower overall operational costs.

## Configuration Tools

### Integral Three Button Configuration Option

Suitable for all electrical and environmental requirements, SmartLine offers the ability to configure the transmitter and display via three externally accessible buttons except for the flow related parameters. Zero and span capabilities are also available optionally with HART and DE devices via three buttons with or without selection of a display option.

### Handheld Configuration

SmartLine transmitters feature two-way communication and configuration capability between the operator and the transmitter. This is accomplished via Honeywell's field-rated Configuration Toolkit (MCT404).

The MCT404 is capable of field configuring HART and DE SMV devices for all parameters other than flow configuration, can be ordered for use in intrinsically safe environments. All Honeywell transmitters are designed and tested for compliance with the offered communication protocols and are designed to operate with any properly validated handheld configuration device.

## Measurement Types:

SMV is capable of mass and volume flow measurements for liquids, gases, and superheated and saturated steam.

## Personal Computer Configuration

Honeywell's PC Based Configuration Toolkit SCT3000 provides an easy way to configure the SMV800 DE devices. SMV800 HART Device can be configured using Device Description based DCS Hosts and Asset Management Systems. HART devices can also be configured using PC based DTMs.

Honeywell's PC based configuration tool, 'SmartLine Modbus Manager' provides an easy and fast way to configure and troubleshoot the SMV Modbus devices including flow parameters. Configuration for multi-drop communication is also possible.

SMV800 DTM and PC based applications provide enhanced features like:

- Easy to use Flow Configuration
- Units Preference: Configurable Engineering units
- Auto Calculation of Viscosity and Density Coefficients, Auto Calculation of K User, Beta Factor
- Export and Import Configurations to/from external file with predefine schema/format
- Summary Page.

## Primary Element Compatibility

**FLOW:** The SMV is compatible with wide range of flow elements and provides dynamic calculation capabilities. SMV800 supports Advanced Algorithms and ASME 1989 Algorithms which is User selectable option in the DD / DTM Tools. Advanced Algorithm option supports the following Primary Elements with SMV800 HART, DE and Modbus Protocols:

- Orifice Plates (ASME MFC-3M & AGA No 3/ISO 5167/GOST 8.586).
- Integral Orifice
- Small Bore Orifice (ASME MFC -14M)
- Conditional Orifice (ISO5167-2003)
- Nozzles (ASME MFC-3M/ISO 5167/GOST 8.586).
- Venturi Tubes (ASME MFC-3M/ISO 5167/GOST).
- Averaging Pitot Tubes
- V-Cone®, Wafer Cone, Wedge.

ASME 1989 Algorithm Option supports the following Primary Elements with SMV800 HART, DE and Modbus protocol:

- Orifice (Flange Taps  $D \geq 2.3$  inches, Flange Taps  $2 \leq D \leq 2.3$ , Corner Taps, Orifice D and D/2 Taps, Orifice 2.5 and 8D Taps)
- Venturi (Machined Inlet, Rough Cast Inlet, Rough Welded Sheet-Iron Inlet, Leopold, Gerand, Venturi Tube, Low-Loss Venturi Tube)
- Nozzle (Long Radius, Venturi Nozzle)
- Various Preso Ellipse Pitot Tubes with varying Pipe Sizes
- Other Pitot Tubes.

### Primary Element Compatibility, continued

**Fixed Parameters:** Fixed Cd, Y1, Viscosity, Density are supported for user to customize the flow calculation.

**Temperature:** The SMV also has the following temperature input options:

- **RTD** (2,3,4 wires): PT25, PT100\*, PT200, PT500, PT1000 (\*DE models use only PT100 RTD)
- **Universal Input: RTD** PT25, PT100, PT200, PT500, PT1000 and **Thermocouple:** Type B\*, E, J, K, N\*, R\*, S\*, T.

\*B, N, R, S Type inputs are only available with HART and Modbus protocols.

### Mass Flow Calculation

Mass Flow Compensation can be selected for Standard Compensations by user for Gas, Liquid and Steam without limitation on primary elements.

Mass Flow Compensation can be selected for Dynamic Compensation by the user from: ASME-MFC-3M, ISO5167, Gost-8.586, for Orifice Plate, Nozzle and Venturri, AGA3 for Orifice, and Calculation Support for Averaging Pitot Tube, VCone, Wafer Cone, Wedge and Integral Orifice and Conditional Orifice are also available. Mass Flow Calculations also support user Fixed Input Parameters for Customizing the Calculations.

### System Integration

- SmartLine communications protocols all meet the most current published standards for HART, DE and Modbus
- Integration with Honeywell's Experion PKS offers the following unique advantages.
  - Messaging & Maintenance Mode Indication.
  - Tamper reporting.
  - FDM Plant Area Views with Health summaries.
  - All SMV 800 units are Experion tested to provide the highest level of compatibility assurance.

### Automatic Density Compensation

Using the configuration software, the SMV can be configured with the primary element type and the physical parameters of the fluid measured. This method dynamically compensates for fluid characteristics such as discharge coefficients, gas expansion factors, density, and viscosity as well as installation issues like upstream pipe size using the above referenced algorithms.

### Basic Flow Density Compensation

This conventional calculation method is based on flow factors being manually entered.

### Modular Design

To help contain maintenance & inventory costs, all SMV 800 transmitters are modular in design supporting the user's ability to replace meter bodies, indicators or change electronic modules without affecting overall performance or approval body certifications. Each meter body is uniquely characterized to provide in-tolerance performance over a wide range of application variations in temperature and pressure and due to the Honeywell advanced interface, electronic modules may be swapped without losing in-tolerance performance characteristics.

### Modular Features

- Meter body replacement
- Replaceable electronics/comm modules\*
- Add or remove integral indicators\*
- Add or remove lightning protection (terminal connection) \*

\* Field replaceable in all electrical environments (including IS) except flameproof without violating agency approvals. With no performance effects, Honeywell's unique modularity results in lower inventory needs and lower overall operating costs. (Not available for Modbus)

## Performance Specifications

Digital Reference Accuracy <sup>2</sup> (conformance to +/-3 Sigma)

Table 1

	Model	URL	LRL	Min Span	Maximum Turndown Ratio	Stability	Reference Accuracy <sub>1,2</sub>
PV1 Differential	SMA810	25 in H <sub>2</sub> O (62.5mbar)	-25 in H <sub>2</sub> O (-62.5mbar)	1 in H <sub>2</sub> O (2.5mbar)	25:1	0.5% URL /Year 2.0% URL/10 Years 3.0% URL/15 years	0.04% Span
	SMA845	400 in H <sub>2</sub> O (1000mbar)	-400 in H <sub>2</sub> O (-1000mbar)	1 in H <sub>2</sub> O (2.5mbar)	400:1	0.02% URL/Year 0.1% URL/10 Years 0.15% URL/15 Years	
	SMG870						
	SMG890	2000 in H <sub>2</sub> O (5 bar)	-2000 in H <sub>2</sub> O (-5 bar)	5 in H <sub>2</sub> O (0.0125 bar)	400:1		0.0375% Reading
PV2 Static	SMA810	100 psia (7 bara)	0 psia (0 bara)	5 psia (0.35 bara)	20:1	0.04% URL/Year 0.2% URL/10 Years 0.3% URL/15 Years	0.0375% Span
	SMA845	1500 psia (104 bara)	0 psia (0 bara)	30 psia (2.1 bara)	50:1	0.006% URL/Year 0.05% URL/10 Years 0.075% URL/15 Years	
	SMG870	4500 psig (310 barg)	-14.7 psig (-1.0 barg)	60 psig (4.2 barg)	75:1	0.015% URL/Year 0.08% URL/10 Years 0.12% URL/15 Years	
	SMG890	4500 psig (310 barg)	-14.7 psig (-1.0 barg)	60 psig (4.2 barg)	75:1		

Zero and span may be set anywhere within the listed (URL/LRL) range limits

### Digital Accuracy at Specified Span, Temperature and Static Pressure

(Combined Zero & Span, conformance to +/-3 Sigma)

Table 2

		Accuracy <sup>1,2</sup> [% of Span - SMA810, SMA845, SMG870 (PV1 & PV2) & SMG890 PV2] [% Reading - SMG890 PV1]				Temperature Effect (% Span/Reading / 28°C (50°F))		Static Line Pressure Effect (% Span/Reading / 1000psi) <sup>3</sup>		
	Model	URL	Reference Turndown	A	B	C	D	E	F	G
PV1 Differential	SMA810	25 inH <sub>2</sub> O	1:1	0.0150	0.025	25	0.100	0.100	0.180	0.080
	SMA845	400 inH <sub>2</sub> O	16:1				0.0125	125	0.075	0.025
	SMG870	400 inH <sub>2</sub> O								
	SMG890	2000 inH <sub>2</sub> O				0.035	0.005	0.125	0.010	
PV2 Static	SMA810	100psia	2:1	0.0125	0.025	50	0.05	0.050	n/a	
	SMA845	1500psia	10:1			450	150	0.055		
	SMG870	4500psig								
	SMG890	4500psig			0.02	0.015				
		Turn Down Effect $\pm [A + B]$ if Span $\geq C$ $\pm \left[ A + B \left( \frac{C}{Span} \right) \right]$ if Span $< C$				Temp Effect $\pm \left[ D + E \left( \frac{URL}{Span} \right) \right]$		Static Effect <sup>3</sup> $\pm \left[ F + G \left( \frac{URL}{Span} \right) \right]$		
		SMG890 (PV1) $\pm [A + B]$ if reading $\geq C$ $\pm \left[ A + B \left( \frac{C}{reading} \right) \right]$ if reading $< C$				$\pm \left[ D + E \left( \frac{URL}{reading} \right) \right]$		$\pm \left[ F + G \left( \frac{URL}{reading} \right) \right]$		

**Typical Calibration Frequency:**

PV1 and PV2 calibration verification is recommended every four (4) years.

**Notes:**

1. Terminal based accuracy – Includes the combined effects of linearity, hysteresis and repeatability. Analog output adds 0.005% of span.
2. For zero based spans and reference conditions of 25°C (77°F), 0 psig static pressure, 10 to 55% RH and 316SS barrier diaphragm.
3. Static Line Pressure effect for SMA810 is % span/25 psi.

**Performance Specifications****Digital PV3 Temperature Reference Accuracy <sup>2</sup> (conformance to +/-3 Sigma).Table 3**

Input Type	Maximum Range Limits	Digital Accuracy (+/-)	Min Span	Stability (% ULR/year)	Standards
<b>RTD (2,3,4 wire)</b>	° C      ° F	° C	° C	%	
Pt25 <sup>4</sup>	-200 to 850   -328 to 1562	1.0	1.0	0.01	IEC751 (α=0.00385)
Pt100	-200 to 850   -328 to 1562	0.20	1.0	0.01	IEC751 (α=0.00385)
Pt200 <sup>4</sup>	-200 to 850   -328 to 1562	0.40	1.0	0.01	IEC751 (α=0.00385)
Pt500 <sup>4</sup>	-200 to 850   -328 to 1562	0.24	1.0	0.01	IEC751 (α=0.00385)
Pt1000 <sup>4</sup>	-200 to 500   -328 to 932	0.20	1.0	0.01	IEC751 (α=0.00385)
<b>Thermocouples<sup>3</sup></b>	° C      ° F	° C	° C	%	
B <sup>4</sup>	200 to 1820   392 to 3308	2.00	1.0	0.01	ANSI/ASTM E-230 (ITS-90)
E	-200 to 1000   -328 to 1832	0.40	1.0	0.01	ANSI/ASTM E-230 (ITS-90)
J	-200 to 1200   -328 to 2192	0.50	1.0	0.01	ANSI/ASTM E-230 (ITS-90)
K	-200 to 1370   -328 to 2498	0.50	1.0	0.01	ANSI/ASTM E-230 (ITS-90)
N <sup>4</sup>	-200 to 1300   -328 to 2372	0.80	1.0	0.01	ANSI/ASTM E-230 (ITS-90)
R <sup>4</sup>	-50 to 1760   -58 to 3200	2.00	1.0	0.01	ANSI/ASTM E-230 (ITS-90)
S <sup>4</sup>	-50 to 1760   -58 to 3200	2.00	1.0	0.01	ANSI/ASTM E-230 (ITS-90)
T	-250 to 400   -418 to 752	0.40	1.0	0.01	ANSI/ASTM E-230 (ITS-90)

**Notes:**

1. Digital Accuracy is accuracy of the digital value accessed by the Host system and the handheld communicator
2. Analog Output Accuracy is applicable to the 4 to 20 mA Signal output
3. For TC inputs, CJ accuracy of 0.25°C shall be added to digital accuracy to calculate the total digital accuracy
4. These input types are only available with HART and Modbus protocols

Total analog accuracy is the sum of digital accuracy and 0.005% of span.

Ambient Temperature Effect Digital Accuracy: For RTD Inputs, 0.0015°C/°C/. For T/C Inputs: 0.005°C/°C

Analog Output: 0.0005% of span/°C

**PV4 Mass Flow Reference Accuracy:** 0.6% of flow range, over 20:1 flow range, calculated every 500ms<sup>1,2</sup>

1. Flow performance specifications assume dynamic compensation and is applicable for SMA845 and SMG870
2. Applicable standards and installations per ASME MFC 3M or ISO 5167-1 for un-calibrated orifice; Bigger than 2.8 inch Pipe Diameter;  
(0.2 < beta < 0.6 Orifice). DP Turn down 16:1; Reference accuracy does not include RTD sensor accuracy.

**Operating Conditions – All Models**

Parameter	Reference Condition		Rated Condition		Operative Limits		Transportation and Storage	
	°C	°F	°C	°F	°C	°F	°C	°F
<b>Ambient Temperature<sup>1</sup></b> SMA810, SMA845, SMG870, SMG890	25±1	77±2	-40 to 85	-40 to 185	-40 to 85	-40 to 185	-55 to 120	-67 to 248
<b>Meter Body Temperature<sup>2</sup></b> SMA810, SMA845, SMG870, SMG890	25±1	77±2	-40 to 110 <sup>1</sup>	-40 to 230 <sup>1</sup>	-40 to 125	-40 to 257	-55 to 120	-67 to 248
<b>Humidity %RH</b>	10 to 55		0 to 100		0 to 100		0 to 100	
<b>Vac. Region – Min. Pressure</b> <b>mmHg absolute</b> <b>inH<sub>2</sub>O absolute</b>	Atmospheric		25		2 (short term) <sup>3</sup>			
	Atmospheric		13		1 (short term) <sup>3</sup>			
<b>Supply Voltage</b> <b>Load Resistance</b>	<b>HART Models:</b> 10.8 to 42.4 Vdc at terminals (IS version limited to 30V) 0 to 1440 ohm (as shown in Figure 2) <b>DE Models:</b> 15V to 42.4 Vdc at terminals (IS version limited to 30V, XP and Non Sparking/ Non Incentive, 42 Volts.) 0 to 900 ohm (as shown in Figure 2) <b>Modbus (RS-485) Models:</b> 9.5 to 30 Vdc at terminals							
<b>Maximum Allowable Working Pressure (MAWP)<sup>4,5</sup></b> (SMV 800 products are rated to Maximum Allowable Working Pressure. MAWP depends on Approval Agency and transmitter materials of construction.)	<b>Standard:</b> SMA810 = 100 psia (7.0 bara) <sup>6</sup> SMA845 = 3000 psia (210 bara) <sup>6</sup> SMG870 = 4500 psig (310 barg) <sup>6</sup> SMG890 = 4500 psig (310 barg) <sup>6</sup>							

<sup>1</sup> LCD Display operating temperature -20 °C to +70 °C (-4 °F to 158 °F) . Storage temperature -30 °C to 80 °C (-22 °F to 176 °F).

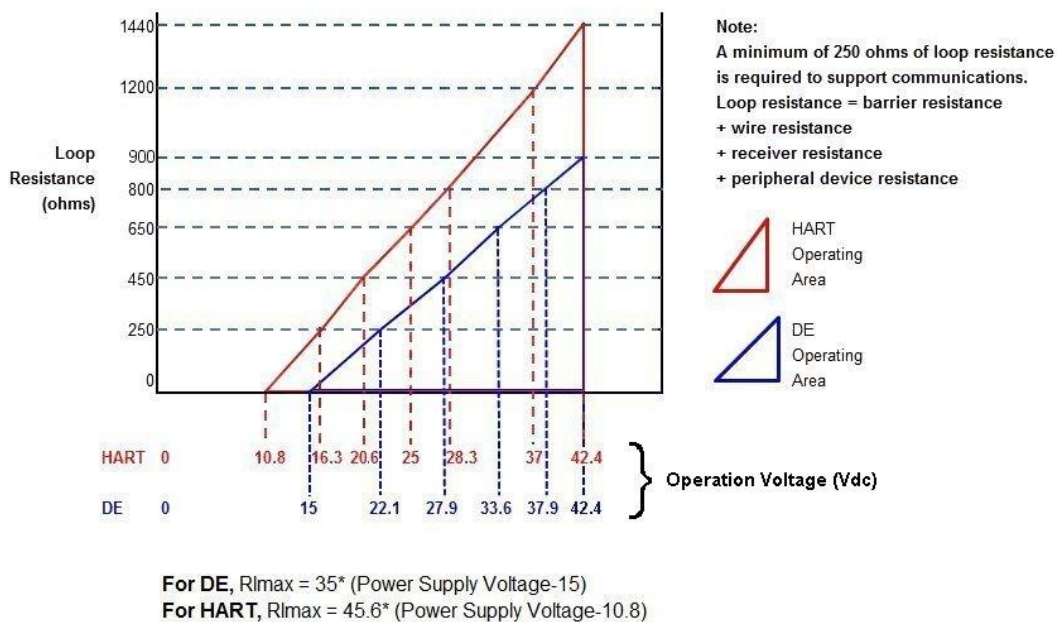
<sup>2</sup> For CTFE fill fluid, the rating is -15 to 110 °C (5 to 230 °F).

<sup>3</sup> Short-term equals 2 hours at 70 °C (158°F).

<sup>4</sup> MAWP applies for temperatures -40 °C to 125 °C (-40 °F to 257 °F). Static Pressure Limit is de-rated to 3,000 psi for -26°C to -40°C (-14.8 °F to -40 °F). Use of graphite O-rings de-rates transmitter to 3,625 psi. Use of 1/2" - process adaptors with graphite o-rings de-rates transmitter to 3,000 psi.

<sup>5</sup> Consult factory for MAWP of SMV 800 transmitters with CRN approval.

<sup>6</sup> The MAWP is intended as a pressure safety limit. Honeywell does not recommend use above the PV2 Upper Range Limit.



**Figure 2 - Supply voltage and loop resistance chart & calculations (HART/DE Protocols)**

**Performance Under Rated Conditions – All Models**

Parameter	Description									
<b>Analog Output Digital Communications:</b>	Two-wire, 4 to 20 mA (HART & DE Transmitters only) Honeywell DE, HART 7 and Modbus protocol Modbus Model: RS-485 Half duplex communication interface. All transmitters, irrespective of protocol have polarity insensitive connection.									
<b>Output Failure Modes (DE and HART only)</b>	<table border="0"> <thead> <tr> <th></th> <th>Honeywell Standard</th> <th>NAMUR NE 43 Compliance</th> </tr> </thead> <tbody> <tr> <td><b>Normal Limits:</b></td> <td>3.8 – 20.8 mA</td> <td>3.8 – 20.5 mA</td> </tr> <tr> <td><b>Failure Mode:</b></td> <td>≤ 3.6 mA and ≥ 21.0 mA</td> <td>≤ 3.6 mA and ≥ 21.0 mA</td> </tr> </tbody> </table>		Honeywell Standard	NAMUR NE 43 Compliance	<b>Normal Limits:</b>	3.8 – 20.8 mA	3.8 – 20.5 mA	<b>Failure Mode:</b>	≤ 3.6 mA and ≥ 21.0 mA	≤ 3.6 mA and ≥ 21.0 mA
	Honeywell Standard	NAMUR NE 43 Compliance								
<b>Normal Limits:</b>	3.8 – 20.8 mA	3.8 – 20.5 mA								
<b>Failure Mode:</b>	≤ 3.6 mA and ≥ 21.0 mA	≤ 3.6 mA and ≥ 21.0 mA								
<b>Supply Voltage Effect</b>	0.005% span per volt.									
<b>Transmitter Turn on Time (includes power up &amp; test algorithms)</b>	HART, DE and Modbus: 5.0 sec.									
<b>Response Time (DP) (delay + time constant)</b>	<b>DE/HART Analog Output:</b> 144mS <b>Modbus.Turnaround delay time:</b> 0-250 ms (default 50 ms)									
<b>Damping Time Constant</b>	<b>Modbus/HART DP/SP:</b> Adjustable from 0 to 32 seconds in 0.1 increments. <b>Default:</b> 0.50 seconds <b>Modbus/HART Temperature:</b> Damping limit is 0 to 102 <b>Modbus/HART FLOW:</b> Damping limit is 0 to 100 <b>DE DP/SP:</b> 0, 0.16, 0.32, 0.48, 1, 2, 4, 8, 16, 32 seconds. <b>Default:</b> 0.48 seconds <b>DE for Temperature PV:</b> Damping time 0, 0.3, 0.7, 1.5, 3.1, 6.3, 12.7, 25.5, 51.1, 102.3 <b>DE for Flow PV:</b> Damping time 0, 0.50, 1, 2, 3, 4, 5, 10, 50, 100									
<b>Vibration Effect</b> SMA845, SMG870, SMG890	Less than +/- 0.1% of URL w/o damping Per IEC60770-1 field or pipeline, high vibration level (10-2000Hz: 0.21 displacement/3g max acceleration)									
<b>Electromagnetic Compatibility</b>	EU EMC Directive 2014/30/EU (EN 61326-1)									
<b>Pressure Equipment Directive</b>	EU PED 2014/68 EU									
<b>Isolation</b>	DE/HART: 2000 Vdc (1400Vrms) Galvanic Isolation between inputs and outputs Modbus: 1000 Vdc Galvanic Isolation between Temperature Sensor inputs & RS485 outputs									
<b>Maximum Lead Wire Resistance</b>	Thermocouples: 50 ohms/leg Pt100, Pt200, Pt500 and Pt1000 RTDs: 50 ohms/leg Pt25 RTD: 10 ohms per leg									
<b>Ambient Temperature Effect</b>	<b>Digital Accuracy:</b> For RTD Inputs, 0.0015°C/°C For T/C Inputs: 0.005°C/°C									
<b>Temperature Sensor Burnout</b>	<b>DE/HART:</b> Burnout detection is user selectable. Upscale or down scale with critical status message. For RTD type inputs; broken wire/wires will be indicated. <b>Modbus:</b> Critical status message indication is available.									
<b>Lightning Protection Option</b>	<b>Leakage Current:</b> 10uA max @ 42.4VDC 93C <b>Impulse rating:</b> <table border="0"> <tr> <td>8/20uS</td> <td>5000A (&gt;10 strikes)</td> <td>10000A (1 strike min.)</td> </tr> <tr> <td>10/1000uS</td> <td>200A (&gt; 300 strikes)</td> <td></td> </tr> </table>	8/20uS	5000A (>10 strikes)	10000A (1 strike min.)	10/1000uS	200A (> 300 strikes)				
8/20uS	5000A (>10 strikes)	10000A (1 strike min.)								
10/1000uS	200A (> 300 strikes)									

## Materials Specifications

(See model selection guide for availability/restrictions with various models)

Parameter	Description
<b>Barrier Diaphragms Material</b>	316L SS, Hastelloy® C-276 <sup>2</sup> , Monel® 400 <sup>3</sup> , Tantalum, Gold-plated 316L SS, Gold-plated Hastelloy® C-276, Gold-plated Monel® 400
<b>Process Head Material</b>	316 SS <sup>4</sup> , Carbon Steel (Zinc-plated) <sup>5</sup> , Hastelloy C-276 <sup>6</sup> , Monel 400 <sup>7</sup>
<b>Vent/Drain Valves &amp; Plugs</b> <sup>1</sup>	316 SS <sup>4</sup> , Hastelloy C-276 <sup>2</sup> , Monel 400 <sup>7</sup>
<b>Head Gaskets</b>	Glass-filled PTFE standard. Viton® and graphite are optional.
<b>Meter Body Bolting</b>	Carbon Steel (Zinc plated) standard. Options include 316 SS, NACE A286 SS bolts, Monel K500, Super Duplex and B7M.
<b>Optional Adapter Flange and Bolts</b>	Adapter Flange materials include 316 SS, Hastelloy C-276 and Monel 400. Bolt material for flanges is dependent on process head bolts material chosen. Standard adaptor o-ring material is glass-filled PTFE. Viton and graphite are optional.
<b>Mounting Bracket</b>	Carbon Steel (Zinc-plated) , 304 Stainless Steel or 316 Stainless Steel
<b>Fill Fluid</b>	Silicone Oil DC200, Silicone Oil 704, NEOBEE® M-20 or CTFE (Chlorotrifluoroethylene).
<b>Electronic Housing</b>	Pure Polyester Powder Coated Low Copper (<0.4%) – Aluminum. Meets Type 4X / IP66 / IP67. All stainless steel housing is optional. Cover O ring material: Silicone
<b>Mounting</b>	Can be mounted in virtually any position using the standard mounting bracket. Bracket is designed to mount on 2-inch (50 mm) vertical or horizontal pipe. See <a href="#">Figure 4</a> .
<b>Process Connections</b>	¼"- NPT or ½"- NPT with adapter (meets DIN requirements)
<b>Wiring</b>	Accepts up to 16 AWG (1.5 mm diameter). For RS-485 connection, 24 AWG shielded twisted pair cable with nominal characteristic impedance of 120 ohm is recommended.
<b>Dimensions</b>	See <a href="#">Figure 5</a> .
<b>Net Weight</b>	8.3 pounds (3.8 Kg). With Aluminum Housing

<sup>1</sup> Vent/Drains are sealed with Teflon®

<sup>2</sup> Hastelloy C-276 or UNS N10276.

<sup>3</sup> Monel 400 or UNS N04400.

<sup>4</sup> Supplied as 316 SS or as Grade CF8M, the casting equivalent of 316 SS.

<sup>5</sup> Carbon Steel heads are zinc-plated and not recommended for water service due to hydrogen migration. For that service, use 316 stainless steel wetted Process Heads.

<sup>6</sup> Hastelloy C-276 or UNS N10276. Supplied as indicated or as Grade CW12MW, the casting equivalent of Hastelloy C-276.

<sup>7</sup> Monel 400 or UNS N04400. Supplied as indicated or as Grade M30C, the casting equivalent of Monel 400.



## Communications Protocols & Diagnostics

### HART Protocol

#### Version

HART 7

#### Power Supply

Voltage: 10.8 Vdc to 42.4 Vdc at terminals

Load: Maximum 1440 ohms See [Figure 2](#).

Minimum Load: 0 ohms. (For handheld communications, a minimum load of 250 ohms is required)

### Honeywell Digitally Enhanced (DE)

DE is a Honeywell proprietary protocol which provides multivariable DE communications between Honeywell DE enabled field devices and Hosts.

#### Power Supply

Voltage: 15 Vdc to 42.4 Vdc at terminals

Load: Maximum 900 ohms See [Figure 2](#).

### Modbus Protocol

Modbus provides easy integration of SMV devices with wide variety of host systems including Flow computers, RTUs, PLCs, Recorders, SCADA systems and supports multi-drop communication of up to 32 devices.

Optional integral indicator can display up to 8 parameters cyclically including parameters from Flow computer, RTU or SCADA system.

Low power consumption makes SMV Modbus transmitters ideal for solar powered installations.

#### Power Supply

Voltage: 9.5V to 30 Vdc at terminals.

Power Consumption: 70mW at 9.5V Supply.

This includes RS-485 communication at 9600 baud rate once per second without termination at room temperature.

#### Communication parameters

Item	Description
Communication protocol	2 wire half duplex RS485 Modbus RTU
Baud rate	1200, 2400,4800, 9600, 19200; Default is 9600
Data format	8- bit
Bit order	LSB
Start bit	1 bit
Stop bit	1 bit
Parity bit	Even, Odd or None; Default is None
Error check	16-bit CRC
Modbus address	1 to 247
Bus Termination	Internal AC termination; Standard external 120 ohm termination

## Standard Diagnostics

SMV 800 top-level diagnostics are reported as either critical or non-critical and readable via the DD/DTM tools or integral display as shown below.

**Note: For HART and DE only**

Critical Diagnostics	
HART DD/DTM Tools	Display
<ul style="list-style-type: none"> <li>• Sensor Critical Fault</li> </ul>	<ul style="list-style-type: none"> <li>• Meter Body and/or</li> <li>• Meter Body Comm and/or</li> <li>• Temp Sense Board and/or</li> <li>• Temp Input and/or</li> <li>• Temp Sensor Comm</li> </ul>
<ul style="list-style-type: none"> <li>• SIL Diag Failure or</li> <li>• msp vcc fault and/or</li> <li>• Config Data Corrupt</li> <li>• DAC Failure</li> </ul>	<ul style="list-style-type: none"> <li>• Comm Module</li> </ul>
<ul style="list-style-type: none"> <li>• DAC Failure</li> </ul>	<ul style="list-style-type: none"> <li>• Comm Module Temp</li> </ul>
<ul style="list-style-type: none"> <li>• msp vcc fault</li> </ul>	<ul style="list-style-type: none"> <li>• msp vcc fault</li> </ul>

Non-critical Diagnostics	
HART DD/DTM Tools	Display
<ul style="list-style-type: none"> <li>• Local Display</li> </ul>	<ul style="list-style-type: none"> <li>• Display Setup</li> </ul>
<ul style="list-style-type: none"> <li>• Fixed Current Mode</li> </ul>	<ul style="list-style-type: none"> <li>• Analog Out Mode</li> </ul>
<ul style="list-style-type: none"> <li>• Comm Sec NC Fault</li> </ul>	<ul style="list-style-type: none"> <li>• N/A</li> </ul>
<ul style="list-style-type: none"> <li>• Sensing Sec NC Fault</li> </ul>	<ul style="list-style-type: none"> <li>• Temp cal Correct</li> <li>• DP Zero Correct and/or</li> <li>• DP Span Correct and/or</li> <li>• Meter Body Input</li> </ul>
<ul style="list-style-type: none"> <li>• Sensor Over Temperature</li> </ul>	<ul style="list-style-type: none"> <li>• Temp Module Temp and/or</li> <li>• Meter Body Temp</li> </ul>
<ul style="list-style-type: none"> <li>• PV Out Of Range</li> </ul>	<ul style="list-style-type: none"> <li>• PV Out Of Range</li> </ul>
<ul style="list-style-type: none"> <li>• No Fact Calib</li> </ul>	<ul style="list-style-type: none"> <li>• Pressure Fac Cal and/or</li> <li>• Temp Fac Cal</li> </ul>
<ul style="list-style-type: none"> <li>• No DAC Compensation</li> </ul>	<ul style="list-style-type: none"> <li>• DAC Temp Comp</li> </ul>
<ul style="list-style-type: none"> <li>• N/A</li> </ul>	<ul style="list-style-type: none"> <li>• Temp Cal Correct</li> </ul>
<ul style="list-style-type: none"> <li>• LRV Set Err. Zero Config Button</li> </ul>	<ul style="list-style-type: none"> <li>• N/A</li> </ul>
<ul style="list-style-type: none"> <li>• URV Set Err. Span Config Button</li> </ul>	<ul style="list-style-type: none"> <li>• N/A</li> </ul>
<ul style="list-style-type: none"> <li>• CJ Out of Limit</li> </ul>	<ul style="list-style-type: none"> <li>• CJ Range</li> </ul>
<ul style="list-style-type: none"> <li>• AO Out of Range</li> </ul>	<ul style="list-style-type: none"> <li>• N/A</li> </ul>
<ul style="list-style-type: none"> <li>• Sensor Input Open</li> </ul>	<ul style="list-style-type: none"> <li>• Temp Input and/or</li> <li>• Temp Input TB6</li> </ul>
<ul style="list-style-type: none"> <li>• Loop Current Noise</li> </ul>	<ul style="list-style-type: none"> <li>• N/A</li> </ul>
<ul style="list-style-type: none"> <li>• Sensor Unreliable Comm</li> </ul>	<ul style="list-style-type: none"> <li>• Meter Body Comm and/or</li> <li>• Temp Comm</li> </ul>
<ul style="list-style-type: none"> <li>• Tamper Alarm</li> </ul>	<ul style="list-style-type: none"> <li>• N/A</li> </ul>
<ul style="list-style-type: none"> <li>• No DAC Calibration</li> </ul>	<ul style="list-style-type: none"> <li>• N/A</li> </ul>
<ul style="list-style-type: none"> <li>• Low Supply Voltage</li> </ul>	<ul style="list-style-type: none"> <li>• Supply Voltage</li> </ul>
<ul style="list-style-type: none"> <li>• Totalizer Reached Max. Value</li> </ul>	<ul style="list-style-type: none"> <li>• Totalizer Max.</li> </ul>
<ul style="list-style-type: none"> <li>• Flow Calculation Details</li> </ul>	<ul style="list-style-type: none"> <li>• Flow Divide by 0 and/or</li> <li>• Flow Sqrt of Neg and/or</li> <li>• Flow Direction and/or</li> <li>• Flow SP/PT Comp</li> </ul>
<ul style="list-style-type: none"> <li>• DP/SP/PT/FLOW Simulation Mode</li> </ul>	<ul style="list-style-type: none"> <li>• DP Simulation and/or</li> <li>• SP Simulation and/or</li> <li>• PT Simulation and/or</li> <li>• Flow Simulation</li> </ul>
<ul style="list-style-type: none"> <li>• Sensor In Low Power Mode</li> </ul>	<ul style="list-style-type: none"> <li>• N/A</li> </ul>
<ul style="list-style-type: none"> <li>• Sensor input out of range</li> </ul>	<ul style="list-style-type: none"> <li>• Temp Input Range</li> </ul>
<ul style="list-style-type: none"> <li>• Totalizer mapped to PV and stopped</li> </ul>	<ul style="list-style-type: none"> <li>• Tot PV Mapping</li> </ul>
<ul style="list-style-type: none"> <li>• No Flow Output</li> </ul>	<ul style="list-style-type: none"> <li>• No Flow Output</li> </ul>

**Note: For Modbus only**


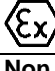


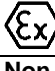

<b>Critical Diagnostics</b>	
<b>Modbus Configuration Host</b>	<b>Display</b>
Diagnostic Failure	Comm Module
RAM Failure	
ROM Failure	
Program Flow Failure	
Config Data Corrupt	
Pressure Sensor Comm Timeout	Meter Body Comm
Temp Sensor Comm Timeout	Temp Sensr Comm
Comm Vcc Failure	Comm VCC Fault
Pressure Sensing Failure	Meter body
Temp Sensing Failure	Temp Sensr Board and/or Temp Input
Meterbody Failure	Meter body
Pressure Sensor Characterization corrupt	
Pressure Suspect Input	
Pressure Sensor RAM DB Fault	
Pressure NVM Corrupt	
Pressure Sensor RAM Corrupt	
Pressure Sensor Code Corrupt	
Pressure Sensor Flow Failure	
Temp Sensor Input Failure	Temp Input and/or Temp Sensr Board
Temp Suspect Input	
Temp Sensor Char CRC Failure	
Temp Sensor NVM Corrupt	
Temp Sensor RAM Failure	
Temp Sensor Code Corrupt	
Temp Sensor Flow Failure	

<b>Non - Critical Diagnostics</b>	
<b>Modbus Configuration Host</b>	<b>Display</b>
Bad DP	N/A
Bad MBT	N/A
Bad PT	N/A
Bad SP	N/A
Bad Flow	N/A
Bad Totalizer	N/A
DP Above High Limit	DP Above High Limit
DP Below Low Limit	DP Below Low Limit
SP Above High Limit	SP Above High Limit
SP Below Low Limit	SP Below Low Limit
PT Above High Limit	PT Above High Limit
PT Below Low Limit	PT Below Low Limit
MBT Above Limit	MBT Above Limit
MBT Below Limit	MBT Below Limit
Flow Above High Limit	Flow Above High Limit
Flow Below Low Limit	Flow Below Low Limit
Comm Sec NC Failure	N/A
Sensing Sec NC Failure	N/A
CJ Out Of Limit	CJ Range
No Factory Calibration	Pressure Fac Cal* and/or Temp Fac Cal
Sensor Unreliable Communication	Meter Body Comm
Tamper Alarm	N/A
Low Supply Voltage	Supply voltages
Device Warm Reset	N/A

Display Communication Failure	N/A
Display NVM Corrupt	Display Setup
Communication Module VCC Failure	N/A
Transmitter Supply Failure	N/A
Totalizer Reached Max. Value	Totalizer Reached Max. Value
Sensor Over Temperature	Meter Body Temp
Sensor Input Open	Temp Input
Sensor Input Out Of Range	Temp Input Range
CJ CT Delta Warning	N/A
Flow Calculation Fault	Flow Divide by 0 and/or Flow Sqrt of Neg and/or Flow Direction and/or Flow SP/PT Comp
No Flow Output	Flow Output
Temperature module ADC Reference Failure	Temp Input Range
Temperature Module Unreliable Communication	Temp Comm
Temperature module Factory Calibration missing	Temp Fac Cal
Temperature Sensor Over Temperature	Temp Module Temp
Excess Calibration Correction	Temp Cal correct
User Corrects Activated	N/A
Sensor input bad	Meter Body
Sensor/CJ Bad	Meter Body
Sensor Input Failure	Temp Input
Low Supply	Supply voltage
Excess Zero Correction	DP Zero Corrects
Excess Span Correction	DP Span Corrects
Char Calc Error	N/A
Sensor Overload	Meter Body Inp
Sensor RAM DB Failure	N/A
Press No Fact Calib	Pres Fac Cal
Pressure Module Unreliable Communication	Meter Body Comm
Press Sensor Over Temperature	Meter Body Temp

**Hazardous Location Approval Certifications:****HART and DE Communications**

MSG CODE	AGENCY	TYPE OF PROTECTION	Electrical Parameters	Ambient Temperature	
A	FM Approvals™	<b>Explosion proof:</b> Class I, Division 1, Groups A, B, C, D Class I, Zone 0/1, AEx db IIC T6..T5 Ga/Gb <b>Dust Ignition Proof:</b> Class II, Division 1, Groups E, F, G; Suitable for Division 1, Class III; Class II, Zone 21, AEx tb IIIC T 95°C Db	Note 1	T95 °C /T5: -50 °C to 85°C T6: -50 °C to 65°C	
		<b>Intrinsically Safe:</b> Class I, II, III, Division 1, Groups A, B, C, D, E, F, G Class I Zone 0 AEx ia IIC T4 Ga	Note 2	T4: -50°C to 70°C	
		<b>Non-Incendive and Intrinsically Safe:</b> Class I, Division 2, Groups A, B, C, D Class I Zone 2 AEx nA IIC T4 Gc Class I Zone 2 AEx ic IIC T4 Gc	Note 1	T4: -50°C to 85°C	
		<b>Enclosure:</b> Type 4X/ IP66/ IP67			
		<b>Standards:</b> FM 3600:2018; ANSI/ ISA 60079-0: 2013; FM 3615:2018; ANSI/ ISA 60079-1 :2015; FM 3616: 2011 ; ANSI/ ISA 60079-31 :2015; FM 3610:2018; ANSI/ ISA 60079-11 :2014; FM 3810 : 2018; ANSI/ ISA 60079-26 :2017; FM 3611:2018; ANSI/ ISA 60079-15 : 2013; ANSI/ ISA 61010-1: 2004;NEMA 250 : 2003 ; ANSI/ IEC 60529 : 2004			
B	CSA-Canada	<b>Explosion proof:</b> Class I, Division 1, Groups A, B, C, D <b>Dust Ignition Proof:</b> Class II, III, Division 1, Groups E, F, G Suitable for Division 1, Class III; Zone 0/1, Ex db IIC T6..T5 Ga/Gb Class I, Zone 0/1, AEx db IIC T6..T5 Ga/Gb Ex tb IIIC T 95°C Db Class II, Zone 21, AEx tb IIIC T 95°C Db	Note 1	T5: -50 °C to 85°C T6: -50 °C to 65°C	
		<b>Intrinsically Safe:</b> Class I, II, III, Division 1, Groups A, B, C, D, E, F, G; Ex ia IIC T4 Ga	Note 2	T4: -50°C to 70°C	
		<b>Non-Incendive and Intrinsically Safe:</b> Class I, Division 2, Groups A, B, C, D Ex nA IIC T4 Gc Class I Zone 2 AEx nA IIC T4 Gc	Note 1	T4: -50°C to 85°C	
		<b>Enclosure:</b> Type 4X/ IP66/ IP67			
		<b>Standards:</b> CSA C22.2 No 0: 2010 (R2015); CSA C22.2 No. 0-M91; CSA C22.2 No 25:2017; CSA C22.2 No 30M; 1986(R2016);CSA C22.2 No 61010-1: 2012 (R2017); CAN/ CSA-C22.2 No.157: 1992(R2016); CSA C22.2 No 213: 2017; CSA C22.2 No 60529:2016; CSA C22.2 No 60079-0:2015; CSA C22.2 No 60079-1:2016; CSA C22.2 60079-11:2014; CSA C22.2 60079-15:2016; CSA C22.2 60079-31:2015; ISA 12.12.01:2017; ANSI/UL 61010-1: 2016; ANSI/ UL 60079-0:2013(R2017); ANSI/ UL 60079-1:2015; ANSI/ UL 60079-11:2014; ANSI/ UL 60079-15:2013(R2017); ANSI/ UL 60079-26 :2017; ANSI/ UL 60079-31 :2015; ANSI/ IEC 60529-2004(R2011); ANSI/UL 122701: 2017; UL 913:2015; UL 916: 2015; FM3615: 2006; FM 3616: 2011; FM 3600: 2011; ANSI/UL 50E: 2015			

C	ATEX	<b>Flameproof:</b> Sira 15ATEX2039X  II 1/2 G Ex db IIC T6..T4 Ga/Gb II 2 D Ex tb IIIC T 95°C..T115°C Db	Note 1	T4,T5/ T95°C: -50 °C to 85°C T6: -50 °C to 65°C		
		<b>Intrinsically Safe:</b> Sira 15ATEX2039X  II 1 G Ex ia IIC T4 Ga	Note 2	T4: -50°C to 70°C		
		<b>Non Sparking and Intrinsically Safe:</b> Sira12ATEX4234X  II 3 G Ex ec IIC T4 Gc II 3 G Ex ic IIC T4 Gc	Note 1 Note 2	T4: -50°C to 85°C		
		<b>Enclosure:</b> IP66/ IP67	All			
		<b>Standards:</b> EN IEC 60079-0: 2018; EN 60079-1: 2014; EN 60079-11: 2012; EN 60079-31: 2014; EN 60079-26: 2015; EN 60079-7: 2015/A1: 2018				
		C	UKEX	<b>Flameproof:</b> CSAE 22UKEX1102X  II 1/2 G Ex db IIC T6..T4 Ga/Gb II 2 D Ex tb IIIC T 95°C..T115°C Db	Note 1	T4,T5/ T95°C: -50 °C to 85°C T6: -50 °C to 65°C
<b>Intrinsically Safe:</b> CSAE 22UKEX1102X  II 1 G Ex ia IIC T4 Ga	Note 2			T4: -50°C to 70°C		
<b>Non Sparking and Intrinsically Safe:</b> CSAE 22UKEX1036X  II 3 G Ex ec IIC T4 Gc II 3 G Ex ic IIC T4 Gc	Note 1 Note 2			T4: -50°C to 85°C		
<b>Enclosure:</b> IP66/ IP67	All					
<b>Standards:</b> EN IEC 60079-0: 2018; EN 60079-1: 2014; EN 60079-11: 2012; EN 60079-31: 2014; EN 60079-26: 2015; EN 60079-7: 2015/A1: 2018						
D	IECEX			<b>Intrinsically Safe:</b> IECEX SIR 15.0022X Ex ia IIC T4 Ga	Note 2	T4: -50°C to 70°C
		<b>Non Sparking:</b> IECEX SIR 15.0022X Ex ec IIC T4 Gc Ex ic IIC T4 Gc	Note 1 Note 2	T4: -50°C to 85°C		
		<b>Flameproof:</b> Ex db IIC T6..T5 Ga/Gb Ex tb IIIC T 95°C..125 °C Db	Note 1	T5: -50 °C to 85°C T6: -50 °C to 65°C		
		<b>Enclosure:</b> IP66/ IP67				
		<b>Standards:</b> IEC 60079-0: 2017; IEC 60079-1:2014; IEC 60079-11: 2011;IEC 60079-7: 2018; IEC 60079-31: 2013; IEC 60079-26: 2014				
E	SAEx (South Africa)	<b>Intrinsically Safe:</b> Ex ia IIC T4 Ga	Note 2	T4: -50°C to 70°C		
		<b>Non Sparking:</b> Ex ec IIC Gc	Note 1	T4: -50°C to 85°C		
		<b>Flameproof:</b> Ex db IIC T6..T5 Ga/Gb Ex tb IIIC T95°C..T125 °C Db	Note 1	T5: -50 °C to 85°C T6: -50 °C to 65°C		
		<b>Enclosure:</b> IP66/ IP67				
F	INMETRO (Brazil)	<b>Intrinsically Safe:</b> Ex ia IIC Ga	Note 2	T4: -50°C to 70°C		
		<b>Non Sparking:</b> Ex ec IIC T4 Gc	Note 1	T4: -50°C to 85°C		
		<b>Flameproof:</b> Ex db IIC T6..T5 Ga/Gb Ex tb IIIC T 95°C..T125 °C Db	Note 1	T5: -50 °C to 85°C T6: -50 °C to 65°C		
		<b>Enclosure:</b> IP66/ IP67				

		<b>Standards:</b> ABNT NBR IEC 60079-0:2013 (IEC 60079-0:2011); ABNT NBR IEC 60079-1:2009 (IEC 60079-1:2007); ABNT NBR IEC 60079-11:2013 (IEC 60079-11:2011); ABNT NBR IEC 60079-15:2012 (IEC 60079-15:2010); ABNT NBR IEC 60079-26:2008 (IEC 60079-26:2006); ABNT NBR IEC 60079-31:2014 (IEC 60079-31:2013).		
G	NEPSI (CHINA)	<b>Intrinsically Safe:</b> Ex ia IIC T4 Ga	Note 2	T4: -50°C to 70°C
		<b>Non Sparking:</b> Ex nA IIC T4 Gc	Note 1	T4: -50°C to 85°C
		<b>Flameproof:</b> Ex d IIC T6..T5 Ga/Gb Ex tb IIIC Db T95°C..T125 °C Db	Note 1	T5: -50 °C to 85°C T6: -50 °C to 65°C
		<b>Enclosure:</b> IP66/ IP67		
H	KOSHA (Korea)	<b>Flameproof:</b> Ex d IIC T6..T5 Ex tD A21 T 95°C..T125 °C	Note 1	T5: -50 °C to 85°C T6: -50 °C to 65°C
		<b>Intrinsically Safe:</b> Ex ia IIC Ga	Note 2	T4: -50°C to 70°C
I	EAC Ex (Russia, Belarus and Kazakhstan)	Ex d IIC T6..T5 Ga/Gb Ex tb IIIC T95°C Db	Note 1	T5: -50 °C to 85°C T6: -50 °C to 65°C
		<b>Intrinsically Safe:</b> Ex ia IIC T4 Ga	Note 2	T4: -50 °C to 70°C
		<b>Non Sparking:</b> 2 Ex nA IIC T4 Gc	Note 1	T4: -50°C to 85°C
		<b>Enclosure :</b> IP 66/67		
K	UATR (Ukraine)	II 1/ 2 G Ex db IIC T6..T5 Ga/Gb	Note 1	T5: -50 °C to 85°C T6: -50 °C to 65°C
		<b>Intrinsically Safe:</b> Ex ia IIC T4 Ga	Note 2	T4: -50 °C to 70°C T4: -50°C to 45°C FISCO
		<b>Enclosure :</b> IP 66/67		
1	ATEX and IECEX	Combined ATEX and IECEX See codes C and D	Note 2	T4: -50°C to 70°C T4: -50°C to 45°C FISCO

**Notes****1. Operating Parameters:**

Voltage= 11 to 42 V

Current= 4-20 mA Normal (3.8 – 23 mA Faults)

**2. Intrinsically Safe Entity Parameters**

Vmax= Ui= 30 V

Imax= li = 225mA





Ci =4 nF

L i= 0 uH

Pi = 0.9 W

<b>SIL 2/3 Certification</b>	IEC 61508 SIL 2 for non-redundant use and SIL 3 for redundant use according to EXIDA and TÜV Nord Sys Tec GmbH & Co. KG under the following standards: IEC61508-1: 2010; IEC 61508-2: 2010; IEC61508-3: 2010.
----------------------------------	------------------------------------------------------------------------------------------------------------------------------------------------------------------------------------------------------------------

## MODBUS Communications

MSG CODE	AGENCY	TYPE OF PROTECTION	Ambient Temperature
6	FM Approvals™	<b>Explosion proof:</b> Class I, Division 1, Groups A, B, C, D Class I, Zone 0/1, AEx db IIC T6..T5 Ga/Gb <b>Dust Ignition Proof:</b> Class II, Division 1, Groups E, F, G; Suitable for Division 1, Class III; Class II, Zone 21, AEx tb IIIC T 95°C Db	T95 °C /T5: -50 °C to 85°C T6: -50 °C to 65°C
		<b>Non-Incendive</b> Class I, Division 2, Groups A, B, C, D Class I Zone 2 AEx nA IIC T4 Gc	T4: -50°C to 85°C
		<b>Enclosure:</b> Type 4X/ IP66/ IP67	
		<b>Standards:</b> FM 3600:2018; FM 3610: 2018; ANSI/ ISA 60079-0: 2013; FM 3615:2018; ANSI/ ISA 60079-1 :2015; FM 3616 : 2011 ; ANSI/ ISA 60079-31 :2015; FM 3810 : 2018; ANSI/ ISA 60079-26 :2017; FM 3611:2018; ANSI/ ISA 60079-15 : 2013; FM 3810 : 2005; ANSI/ ISA 61010-1: 2004;NEMA 250 : 2003 ; ANSI/ IEC 60529 : 2004	
7	CSA-Canada	<b>Explosion proof:</b> Class I, Division 1, Groups A, B, C, D <b>Dust Ignition Proof:</b> Class II, III, Division 1, Groups E, F, G Suitable for Division 1, Class III; Zone 0/1, Ex db IIC T6..T5 Ga/Gb Class I, Zone 0/1, AEx db IIC T6..T5 Ga/Gb Ex tb IIIC T 95°C Db Class II, Zone 21, AEx tb IIIC T 95°C Db	T5: -50 °C to 85°C T6: -50 °C to 65°C
		<b>Non-Incendive</b> Class I, Division 2, Groups A, B, C, D Ex nA IIC T4 Gc Class I Zone 2 AEx nA IIC T4 Gc	T4: -50°C to 85°C
		<b>Enclosure:</b> Type 4X/ IP66/ IP67	
		<b>Standards:</b> CSA C22.2 No 0: 2010(R2015); CSA C22.2 No. 94-M91; CSA C22.2 No 25:2017; CSA C22.2 No 30M; 1986(R2016);CSA No 61010-1: 2012(R2017); CSA C22.2 No 213: 2017; CSA C22.2 No 60529:2016; CSA C22.2 No 60079-0:2015; CSA C22.2 No 60079-1:2016;; CSA C22.2 60079-15:2016; CSA C22.2 No 60079-26: 2016; CSA C22.2 60079-31:2015; ANSI/UL 12.12.01:2017; ANSI/UL 61010-1: 2016; ANSI/ UL 60079-0:2013(R2017); ANSI/ ISA 60079-1:2015; ANSI/ UL 60079-15:2013(R2017); ANSI/ UL 60079-26 :2017; ANSI/ UL 60079-31 :2015; ANSI/IEC 60529: 2004(R2011); ANSI/ UL 913:2015; ANSI/ UL 916: 2015; ANSI/ UL 122701: 2017; FM 3615: 2006; FM 3600: 2011; ANSI/UL 50E: 2015	
8	ATEX	<b>Flameproof:</b> Sira 15ATEX2039X  II 1/2 G Ex db IIC T6..T5 Ga/Gb II 2 D Ex tb IIIC T 95°C..T125°C Db	T5/ T95°C: -50 °C to 85°C T6: -50 °C to 65°C
		<b>Non Sparking</b> Sira12ATEX4234X  II 3 G Ex ec IIC T4 Gc	T4: -50°C to 85°C
	<b>Standards:</b> EN 60079-0: 2018; EN 60079-1 :2014; EN 60079-31 : 2014; EN 60079-26 :2015; ; EN 60079-7: 2015/A1: 2018 <b>Enclosure:</b> IP66/ IP67		
	UKEX	<b>Flameproof:</b> CSAE 22UKEX1102X  II 1/2 G Ex db IIC T6..T4 Ga/Gb II 2 D Ex tb IIIC T 95°C..T115°C Db	T4,T5/ T95°C: -50 °C to 85°C T6: -50 °C to 65°C
<b>Non Sparking and Intrinsically Safe:</b> CSAE 22UKEX1036X  II 3 G Ex ec IIC T4 Gc		T4: -50°C to 85°C	
<b>Enclosure:</b> IP66/ IP67 <b>Standards:</b> EN IEC 60079-0: 2018; EN 60079-1: 2014; EN 60079-31: 2014; EN 60079-26: 2015; EN 60079-7: 2015/A1: 2018			



MSG CODE	AGENCY	TYPE OF PROTECTION	Ambient Temperature
9	IECEX	<b>Non Sparking:</b> IECEX SIR 15.0022X Ex ec IIC T4 Gc	T4: -50°C to 85°C
		<b>Flameproof:</b> Ex db IIC T6..T5 Ga/Gb Ex tb IIIC T 95°C..125 °C Db	T5: -50 °C to 85°C T6: -50 °C to 65°C
		<b>Enclosure:</b> IP66/ IP67	
		<b>Standards:</b> IEC 60079-0: 2018; IEC 60079-1 :2014; IEC 60079-7: 2018; IEC 60079-31: 2013; IEC 60079-26: 2014	

**Other Certification Options**

**Materials**

- NACE MRO175, MRO103, ISO15156

**Temperature Sensor Wiring Diagram**

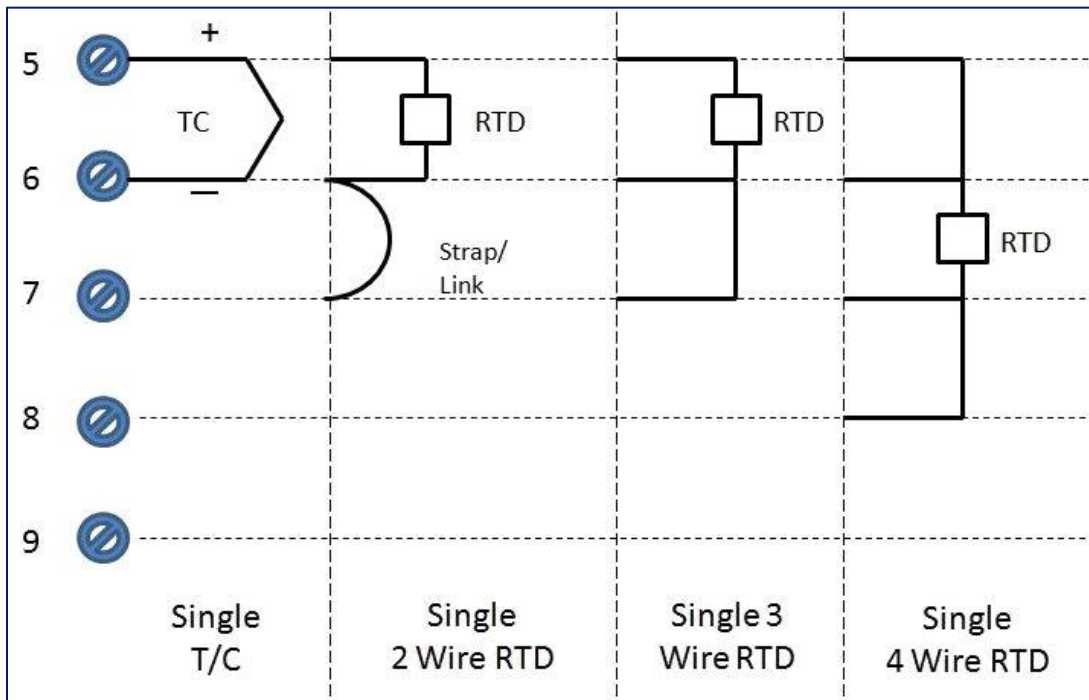
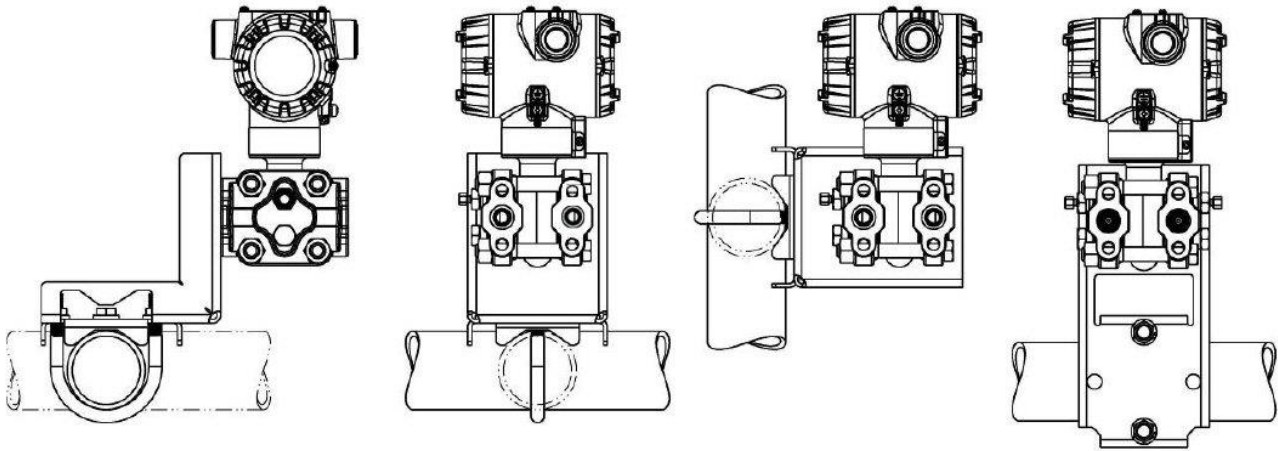


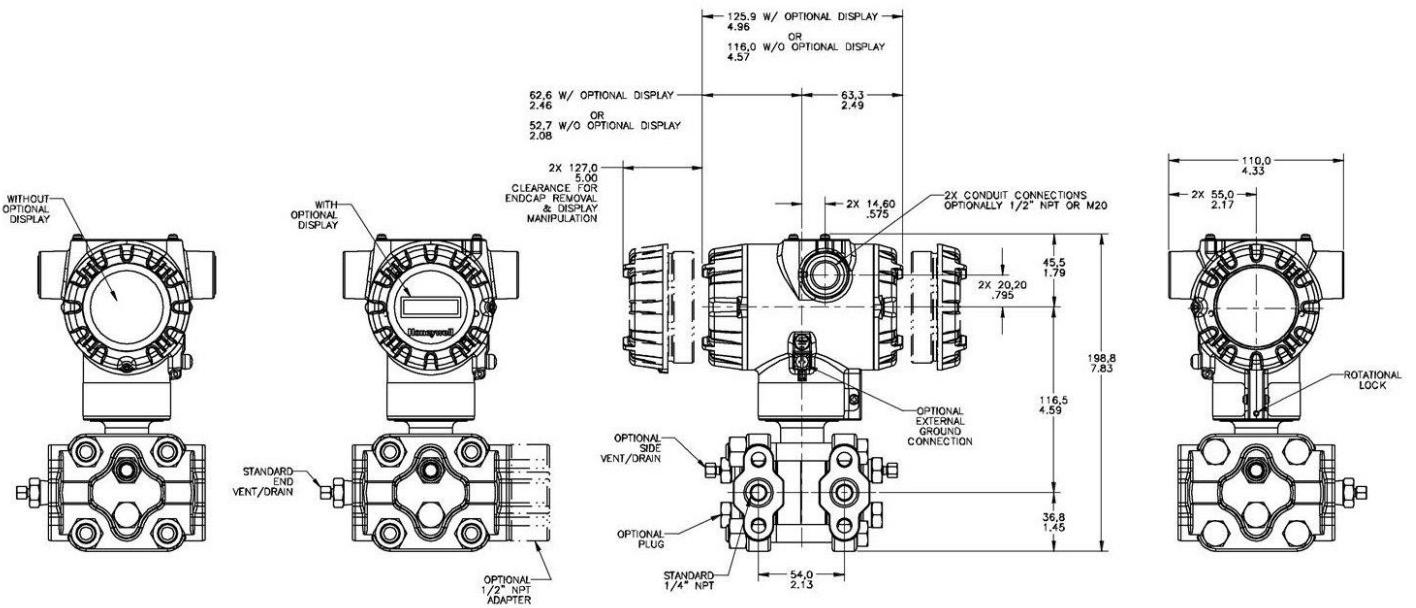
Figure 3 – Temperature Sensor Wiring Diagram

**Mounting & Dimensional Drawings**

Reference Dimensions:  $\frac{\text{millimeters}}{\text{inches}}$



**Figure 4 – Mounting Configurations**



**Figure 5 – Typical mounting dimensions for reference**

## Model Selection Guide

Model Selection Guides are subject to change and are inserted into the specifications as guidance only.

### Model SMV800 Multivariable Pressure Transmitter

Model Selection Guide  
34-SM-16-92 Issue 16

**Instructions:** Make selections from all Tables Key through IX using column below the proper arrow. Asterisk indicates availability. Letter (a) refer to restrictions highlighted in the restrictions table. Tables delimited with dashes.

<b>Key Number</b>	I	II	III	IV	V	VI	VII	VIII	IX	X	XI
SM	-	-	-	-	-	-	-	-	-	-	0 0 0 0

KEY NUMBER	Differential Pressure Range	Static Pressure Range
<b>Measurement Range</b>	-25 to +25 In H2O / -62.5 to +62.5 mbar	0 to 100 psia/0 to 7 bara
	-400 to +400 In H2O / -1000 to +1000 mbar	0 to 1500 psia/ 0 to 104 bara
	-400 to +400 In H2O / -1000 to +1000 mbar	-14.7 to 4500 psig/-1 to 310 barg
	-2000 to +2000 In H2O / -5000 to +5000 mbar	-14.7 to 4500 psig/-1 to 310 barg

Selection	Availability
SMA810	↓ ↓ ↓ ↓
SMA845	↓ ↓ ↓ ↓
SMG870	↓ ↓ ↓ ↓
SMG890	↓ ↓ ↓ ↓

TABLE I	Input type
<b>Temperature Sensor Input</b>	Single Input - RTD (2/3/4 Wire) Single Input - Universal

S1	*	*	*	*
S2	*	*	*	*

TABLE II	Digital Output
<b>Digital Output</b>	No

0	*	*	*	*
---	---	---	---	---

TABLE III	Process Head Material	Diaphragm Material	
<b>a. Process Wetted Heads &amp; Diaphragm Materials</b>	Plated Carbon Steel	316L Stainless Steel Hastelloy® C-276 Monel® 400 Tantalum Gold Plated Stainless Steel Gold Plated Hastelloy C-276 Gold Plated Monel 400	
	316 Stainless Steel	316L Stainless Steel Hastelloy® C-276 Monel® 400 Tantalum Gold Plated Stainless Steel Gold Plated Hastelloy C-276 Gold Plated Monel 400	
	Hastelloy C-276	Hastelloy® C-276 Tantalum Gold Plated Hastelloy C-276	
	Monel 400	Monel 400 Gold Plated Monel 400	
<b>b. Fill Fluid</b>	Silicone Oil 200 Fluorinated Oil CTFE Silicone Oil 704 Neobee® M-20		
<b>c. Process Connection</b>	None 1/2" NPT female	None (1/4" NPTF female thread Std) Materials to Match Head & Head Bolt Materials Selections <sup>1</sup>	
<b>d. Bolt/Nut Materials</b>	Carbon Steel 316 SS Grade 660 (NACE A286) with NACE 304 SS Nuts Grade 660 (NACE A286) Bolts & Nuts Monel K500 Super Duplex B7M		
<b>e. Vent/Drain Type/Location</b>	<b>Head Type</b>	<b>Vent/Drain Location</b>	<b>Vent Material</b>
	Single Ended	None	None
	Single Ended	Side w/Vent	Matches Head Material <sup>1</sup>
	Single Ended	Side w/Center Vent	Stainless Steel Only
	Dual Ended	End w/Vent	Matches Head Material <sup>1</sup>
	Dual Ended	End w/Center Vent	Stainless Steel Only
Dual Ended	Side w/ Vent & End w/Plug	Matches Head Material <sup>1</sup>	
<b>f. Gasket Material</b>	Teflon® or PTFE (Glass Filled) Viton® or Fluorocarbon Elastomer Graphite		

A	*	*	*	*
B	*	*	*	*
C	a	a	a	a
D	a	a	a	a
1	*	*	*	*
2	*	*	*	*
3	a	a	a	a
E	*	*	*	*
F	*	*	*	*
G	a	a	a	a
H	a	a	a	a
4	*	*	*	*
5	*	*	*	*
6	a	a	a	a
J	*	*	*	*
K	a	a	a	a
7	*	*	*	*
L	a	a	a	a
8	a	a	a	a
1	*	*	*	*
2	*	*	*	*
3	*	*	*	*
4	*	*	*	*
A	*	*	*	*
H	*	*	*	*
C	*	*	*	*
S	*	*	*	*
N	*	*	*	*
K	p	p	p	p
M	p	p	p	p
D	p	p	p	p
B	*	*	*	*
1	*	*	*	*
2	*	*	*	*
3	t	t	t	t
4	*	*	*	*
5	t	t	t	t
6	*	*	*	*
A	*	*	*	*
B	*	*	*	*
C	*	*	*	*

<sup>1</sup>Except Carbon Steel Heads shall use 316SS Vent/Drain, Plugs & Adapters when required

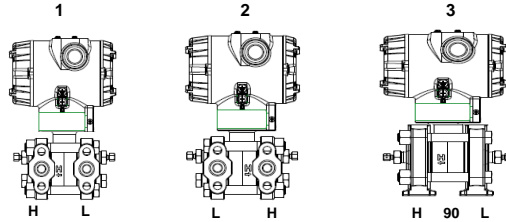


TABLE IV Meter Body & Connection Orientation		
Head/Connect Orientation	Standard	High Side Left, Low Side Right <sup>2</sup> / Std Head Orientation
	Reversed	Low Side Left, High Side Right <sup>2</sup> / Std Head Orientation
	90/Standard	High Side Left, Low Side Right <sup>2</sup> / 90° Head Rotation

1	*	*	*	*
2	*	*	*	*
3	h	h	h	h

TABLE V Agency Approvals (see data sheet for Approval Code Details)	
Approvals All Protocols	No Approvals Required
Approvals - HART & DE	FM Explosion proof, Intrinsically Safe, Non-incendive, & Dustproof
	CSA Explosion proof, Intrinsically Safe, Non-incendive, & Dustproof
	ATEX Explosion proof, Intrinsically Safe & Non-incendive
	IECEX Explosion proof, Intrinsically Safe & Non-incendive
	SAEx/CCoE Explosion proof, Intrinsically Safe & Non-incendive
	INMETRO Explosion proof, Intrinsically Safe & Non-incendive
	NEPSI Explosion proof, Intrinsically Safe & Non-incendive
	KOSHA Explosion proof, Intrinsically Safe & Non-incendive
	EAC Customs Union(Russia,Belarus,Kazakhstan) Ex Approval, Flame proof, Intrinsically Safe
	UATR Flameproof, Intrinsically Safe & Dustproof
ATEX/IECEX Explosion proof, Intrinsically Safe & Non-incendive	
Approvals - Modbus	FM Explosion proof, Non-incendive, & Dustproof
	CSA Explosion proof, Non-incendive, & Dustproof
	ATEX Explosion proof & Non-incendive
	IECEX Explosion proof & Non-incendive

0	*	*	*	*
A	v	v	v	v
B	v	v	v	v
C	v	v	v	v
D	v	v	v	v
E	v	v	v	v
F	v	v	v	v
G	v	v	v	v
H	v	v	v	v
I	v	v	v	v
K	v	v	v	v
1	v	v	v	v
6	w	w	w	w
7	w	w	w	w
8	w	w	w	w
9	w	w	w	w

TABLE VI TRANSMITTER ELECTRONICS SELECTIONS					
a. Electronic Housing Material & Connection Type	Material	Connection		Lightning Protection	
		Polyester Powder Coated Aluminum		1/2 NPT M20 1/2 NPT M20	None None Yes Yes
	316 Stainless Steel (Grade CF8M)		1/2 NPT M20 1/2 NPT M20	None None Yes Yes	
	b. Output/ Protocol	Analog Output		Digital Protocol	
		4-20mA dc		HART Protocol	
		4-20mA dc		DE Protocol*	
NA NA		Modbus Protocol (RS485) - Direct Process Variables Modbus Protocol (RS485) - Fully Compensated Flow			
c. Customer Interface Selections	Indicator	Ext Zero, Span & Config Buttons		Languages	
	None	None		None	
	None	Yes (Zero/Span Only)		None	
	Advanced	None		EN,DE,FR,IT,ES,RU,TU	
	Advanced	Yes		EN,DE,FR,IT,ES,RU,TU	
	Advanced	None		EN, CH, JP	
Advanced	Yes		EN, CH, JP		

A__	*	*	*	*
B__	*	*	*	*
C__	*	*	*	*
D__	*	*	*	*
E__	*	*	*	*
F__	*	*	*	*
G__	*	*	*	*
H__	*	*	*	*

_H_	*	*	*	*
_D_	u	u	u	u
_M_	*	*	*	*
_P_	*	*	*	*

_ _ 0	*	*	*	*
_ _ A	f	f	f	f
_ _ D	*	*	*	*
_ _ E	*	*	*	*
_ _ H	*	*	*	*
_ _ J	*	*	*	*

TABLE VII CONFIGURATION SELECTIONS				
a. Application Software	Diagnostics			
	Standard Diagnostics			
b. Output Limit, Failsafe & Write Protect Settings	Write Protect	Fail Mode	AC Termination	High & Low Output Limits <sup>3</sup>
	Disabled	High> 21.0mAdc	N/A	Honeywell Std (3.8 - 20.8 mAdc)
	Disabled	Low< 3.6mAdc	N/A	Honeywell Std (3.8 - 20.8 mAdc)
	Enabled	High> 21.0mAdc	N/A	Honeywell Std (3.8 - 20.8 mAdc)
	Enabled	Low< 3.6mAdc	N/A	Honeywell Std (3.8 - 20.8 mAdc)
	Enabled	N/A	Enabled	Modbus
	Disabled	N/A	Enabled	Modbus
c. General Configuration	Factory Standard			
	Custom Configuration (Unit Data Required from customer)			
	Enabled	N/A	Disabled	Modbus
Disabled	N/A	Disabled	Modbus	

1__	*	*	*	*
-----	---	---	---	---

_ 1 _	f	f	f	f
_ 2 _	f	f	f	f
_ 3 _	f	f	f	f
_ 4 _	f	f	f	f
_ 5 _	g	g	g	g
_ 6 _	g	g	g	g
_ 7 _	g	g	g	g
_ 8 _	g	g	g	g
_ _ S	*	*	*	*
_ _ C	*	*	*	*

<sup>2</sup> Left side/Right side as view ed from the customer connection perspective  
<sup>3</sup> NAMUR Output Limits 3.8 - 20.5mAdc can be configured by the customer or select custom configuration Table Vc  
 \* DE protocol does not support Totalizer feature

TABLE VIII PV1,PV2 & PV3 CALIBRATION & ACCURACY SELECTIONS				
a. Accuracy and Calibration	Accuracy	Calibrated Range	# of Calibrations	
	Standard	PV1,PV2&PV3 Factory Std		PV1,PV2&PV3 Single Calibration
		PV1,PV2&PV3 Custom (Unit Data Required)		PV1,PV2&PV3 Single Calibration
		PV1,PV2&PV3 Custom (Unit Data Required)		PV1&PV2 Dual Calibration
	PV1,PV2&PV3 Custom (Unit Data Required)		PV1&PV2 Triple Calibration	

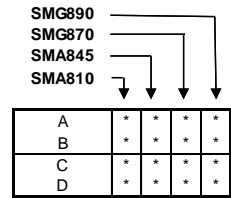


TABLE IX ACCESSORY SELECTIONS		
a. Mounting Bracket	Bracket Type	Material
	b. Customer Tag	None
Angle Bracket		Carbon Steel
Angle Bracket		304 SS
Angle Bracket		316 SS
Flat Bracket		Carbon Steel
Flat Bracket		304 SS
c. Unassembled Conduit Plugs & Adapters	Customer Tag Type	
	No customer tag One Wired Stainless Steel Tag (Up to 4 lines 26 char/line) Two Wired Stainless Steel Tag (Up to 4 lines 26 char/line)	
Unassembled Conduit Plugs & Adapters	Unassembled Conduit Plugs & Adapters	
	No Conduit Plugs or Adapters Required	
	1/2 NPT Male to 3/4 NPT Female 316 SS Certified Conduit Adapter	
	1/2 NPT 316 SS Certified Conduit Plug	
	M20 316 SS Certified Conduit Plug	
	Minifast <sup>®</sup> 4 pin (1/2 NPT) (not suitable for X-Proof applications)	
Minifast <sup>®</sup> 4 pin (M20) (not suitable for X-Proof applications)		

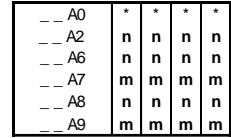
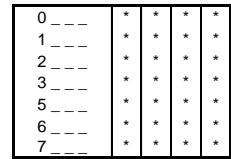


TABLE X OTHER Certifications & Options: (String in sequence comma delimited (XX, XX, XX,...))	
Certifications & Warranty	None - No additional options
	NACE MR0175; MR0103; ISO15156 Process wetted parts only
	NACE MR0175; MR0103; ISO15156 Process wetted and non-wetted parts
	EN10204 Type 3.1 Material Traceability
	Certificate of Conformance
	Calibration Test Report & Certificate of Conformance
	Certificate of Origin
	FMEDA (SIL 2/3) Certification
	Over-Pressure Leak Test Certificate (1.5X MAWP)
	Cert Clean for O <sub>2</sub> or CL <sub>2</sub> service per ASTM G93
	PMI Certification <sup>1</sup>
	Extended Warranty Additional 1 year
	Extended Warranty Additional 2 years
	Extended Warranty Additional 3 years
	Extended Warranty Additional 4 years
Extended Warranty Additional 15 years	

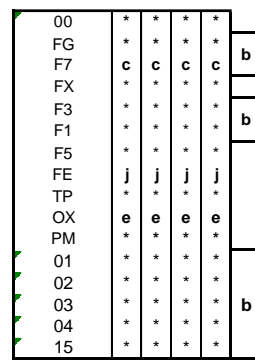
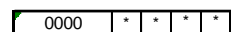


TABLE XI Manufacturing Specials	
Factory	Factory Identification



MODEL RESTRICTIONS

Restriction Letter	Available Only with		Not Available with	
	Table	Selection(s)	Table	Selection(s)
a			X	F7, FG
c	IIId	_ _ _ N,K,D,B _ _ _	IIIa	C,D,3,G,H,6,K,L,8
e	IIIf	_ 2 _ _ _ _ _		
f			VIb	_ M, P _
g			VIb	_ H, D _
h			IIIe	_ 4, 5, 6 _
			IXa	1,2,3,5,6,7 _ _ _
j	VIb	_ H _	VIb	_ 1,2,5,6,7,8 _
m	Via	B, D, F, H _ _		
n	Vla	A, C, E, G _ _		
p			V	B- No CRN number available
t			IIIa	J, K, 7, L, 8
u			VIIIa	C,D
v	VIb	_ H, D _		
w	VIb	_ M, P _		
b	Select only one option from this group			

<sup>1</sup>The PM option is available on all Smartline Pressure Transmitter process wetted parts such as process heads, flanges, bushings and vent plugs except plated carbon steel process heads and flanges. PM option information is also available on diaphragms except Gold plated and STG and STA in-line construction pressure transmitters.

**FIELD INSTALLABLE/ACCESSORY PARTS**

Description	Kit Number
Integrally Mounted Advanced Indicator Kit (EN,DE,FR,ES,IT,RU,TU - compatible with HART & DE Electronic Modules)	50049846-506
Integrally Mounted Advanced Indicator Kit (EN, CH, JP - compatible with HART & DE Electronic Modules)	50087087-503
Integrally Mounted Advanced Indicator Kit (EN,DE,FR,ES,IT,RU,TU - compatible with Modbus Electronic Modules)	50049846-507
Integrally Mounted Advanced Indicator Kit (EN, CH, JP - compatible with Modbus Electronic Modules)	50087087-507
Terminal Strip w/o Lightning Protection Kit for HART or DE Modules	50086421-521
Terminal Strip w/ Lightning Protection Kit for HART or DE Modules	50086421-523
Terminal Strip w/o Lightning Protection Kit for Modbus Module	50086421-531
Terminal Strip w/ Lightning Protection Kit for Modbus Module	50086421-532
HART Electronics Module	50098718-501
HART Electronics Module w/connection for external configuration buttons	50098718-502
DE Electronics Module	50098718-503
DE Electronics Module w/connection for external configuration buttons	50098718-504
Modbus Electronics Module w/connection for external configuration buttons	50098718-510
Modbus Electronics Module	50098718-509

**PRODUCT MANUALS**

Description	Part Number
Product Manual SMV 800 Smart Transmitter User Manual - English	34-SM-25-03
Product Manual SMV 800 Smart Transmitter HART/DE Communications Manual - English	34-SM-25-06
Product Manual SMV800 Smart Transmitter Modbus Communications Manual - English	34-SM-25-09

All product documentation is available at [www.honeywellprocess.com](http://www.honeywellprocess.com).

## Sales and Service

For application assistance, current specifications, pricing, or name of the nearest Authorized Distributor, contact one of the offices below.

### ASIA PACIFIC

Honeywell Process Solutions,  
(TAC) [hfs-tac-support@honeywell.com](mailto:hfs-tac-support@honeywell.com)

#### Australia

Honeywell Limited  
Phone: +(61) 7-3846 1255  
FAX: +(61) 7-3840 6481  
Toll Free 1300-36-39-36  
Toll Free Fax:  
1300-36-04-70

#### China – PRC - Shanghai

Honeywell China Inc.  
Phone: (86-21) 5257-4568  
Fax: (86-21) 6237-2826

#### Singapore

Honeywell Pte Ltd.  
Phone: +(65) 6580 3278  
Fax: +(65) 6445-3033

#### South Korea

Honeywell Korea Co Ltd  
Phone: +(822) 799 6114  
Fax: +(822) 792 9015

### EMEA

Honeywell Process Solutions,  
Phone: + 80012026455 or  
+44 (0)1344 656000

Email: (Sales)

[FP-Sales-Apps@Honeywell.com](mailto:FP-Sales-Apps@Honeywell.com)

or

(TAC)

[hfs-tac-support@honeywell.com](mailto:hfs-tac-support@honeywell.com)

### Web

Knowledge Base search  
engine <http://bit.ly/2N5Vldj>

### AMERICA'S

Honeywell Process Solutions,  
Phone: (TAC) 1-800-423-9883 or  
215/641-3610  
(Sales) 1-800-343-0228

Email: (Sales)

[FP-Sales-Apps@Honeywell.com](mailto:FP-Sales-Apps@Honeywell.com)

or

(TAC)

[hfs-tac-support@honeywell.com](mailto:hfs-tac-support@honeywell.com)

### Web

Knowledge Base search  
engine <http://bit.ly/2N5Vldj>

*Specifications are subject to change without notice.*

### For more information

To learn more about SmartLine Transmitters,  
visit [www.process.honeywell.com](http://www.process.honeywell.com)  
Or contact your Honeywell Account Manager

### Process Solutions

Honeywell  
2101 City West Blvd  
Houston, TX 77042

Honeywell Control Systems Ltd  
Honeywell House, Skimped Hill Lane  
Bracknell, England, RG12 1EB

Shanghai City Centre, 100 Jungi Road  
Shanghai, China 20061

[www.process.honeywell.com](http://www.process.honeywell.com)

34-SM-03-92

March 2024

©2024 Honeywell International Inc.

The Honeywell logo is displayed in a bold, red, sans-serif font.